

SYMETRICS Deck valve anti-clockwise closing hot - Brushed Durabronz (23kt Gold)

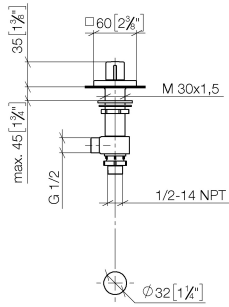
IMO

20 000 985

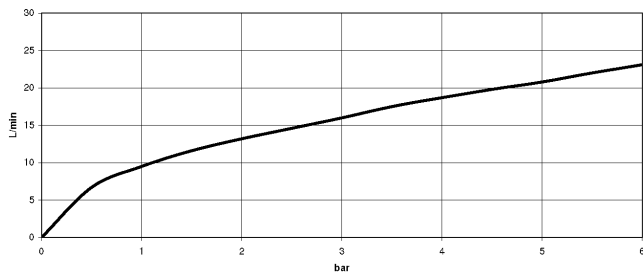
- hole diameter valve 32 mm
- rosette 60 x 60 mm
- with hot marking



20 000 985
mm [inches]



Flow rate chart

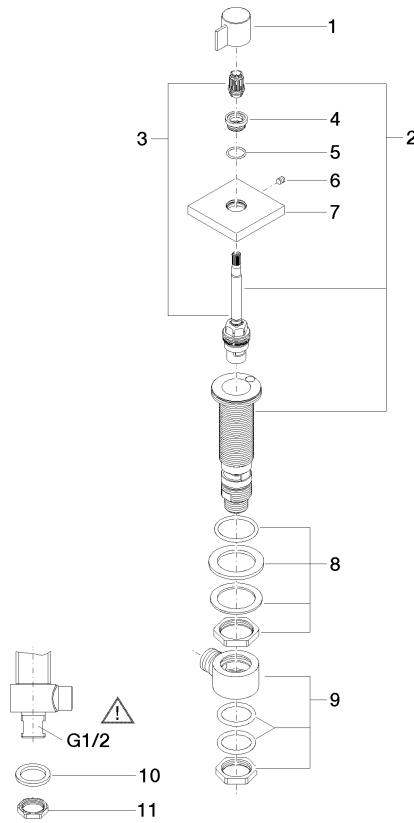


Certificates

ETA_18519.

IAPMO_6397.

20 000 985



Spare parts list

No.	Item Number	Name	Quantity used	Delivery time
1	09 20 98 002-28	handle	1	20
2	90 17 11 045 04 90	side panel	1	2
3	90 90 03 204 00 90	top	1	2
4	09 12 12 043-28	base	1	20
5	09 14 10 017 90	seal	1	2
6	90 31 11 004 00 90	pin	1	2
7	09 27 98 014-28	rosette	1	20
8	04 23 10 032 78 90	fixing set	1	2
9	04 17 11 023 10 90	distributor	1	2
10	09 30 11 059 90	disc	1	2
11	09 23 10 012 90	nut	1	2